

# LH 180, 190 E

---

## Spare parts list

### Handheld hydraulic breakers

Valid from serial number

BGF000001

BGB187700



# TECHBUD

**Atlas Copco**

# General information

This spare parts list applies to the following:

Part number	Description
1801344336	LH 180 25 x 108 mm (1 x 4 1/4 in.)
1801344337	LH 180 28 x 152 mm (1 1/8 x 6 in.)
1801344338	LH 180 25 x 108 mm (1 x 4 1/4 in.)
1801344339	LH 180 25 x 108 mm (1 x 4 1/4 in.)
1801344340	LH 180 25 x 108 mm (1 x 4 1/4 in.)
1801344341	LH 190 E 25 x 108 mm (1 x 4 1/4 in.)
1801344342	LH 190 E 28 x 152 mm (1 1/8 x 6 in.)
1801344343	LH 190 E 28 x 160 mm (1 1/8 x 6 1/4 in.)
1801344344	LH 190 E 32 x 152 mm (1 1/4 x 6 in.)
1801344345	LH 190 E 32 x 160 mm (1 1/4 x 6 1/4 in.)

Use only authorized parts. Any damage or malfunction caused by the use of unauthorized parts is not covered by Warranty or Product Liability. Any unauthorized use or copying of the contents or any part thereof is prohibited. This applies in particular to trademarks, model denominations, part numbers, and drawings.

## Instructions for use

This spare parts list contains no safety regulations and is merely intended to assist in the ordering of spare parts.

For information about operating, servicing, or repairing, the relevant Safety and operating instructions must be consulted at all costs.

Please observe the safety instructions listed in the relevant Safety and operating instructions!

## Contents

### Spare parts list

LH 180, 190 E	1
Nose parts	5
Handle standard	9
E-handle	11

### Tightening torque

Tightening torque	14
-------------------	----

### Working tools

ISO standard hexagon 25 x 108 mm	17
ISO standard hexagon 28 x 160 mm	19
ISO standard hexagon 32 x 152 mm	22
ISO standard hexagon 32 x 160 mm	26

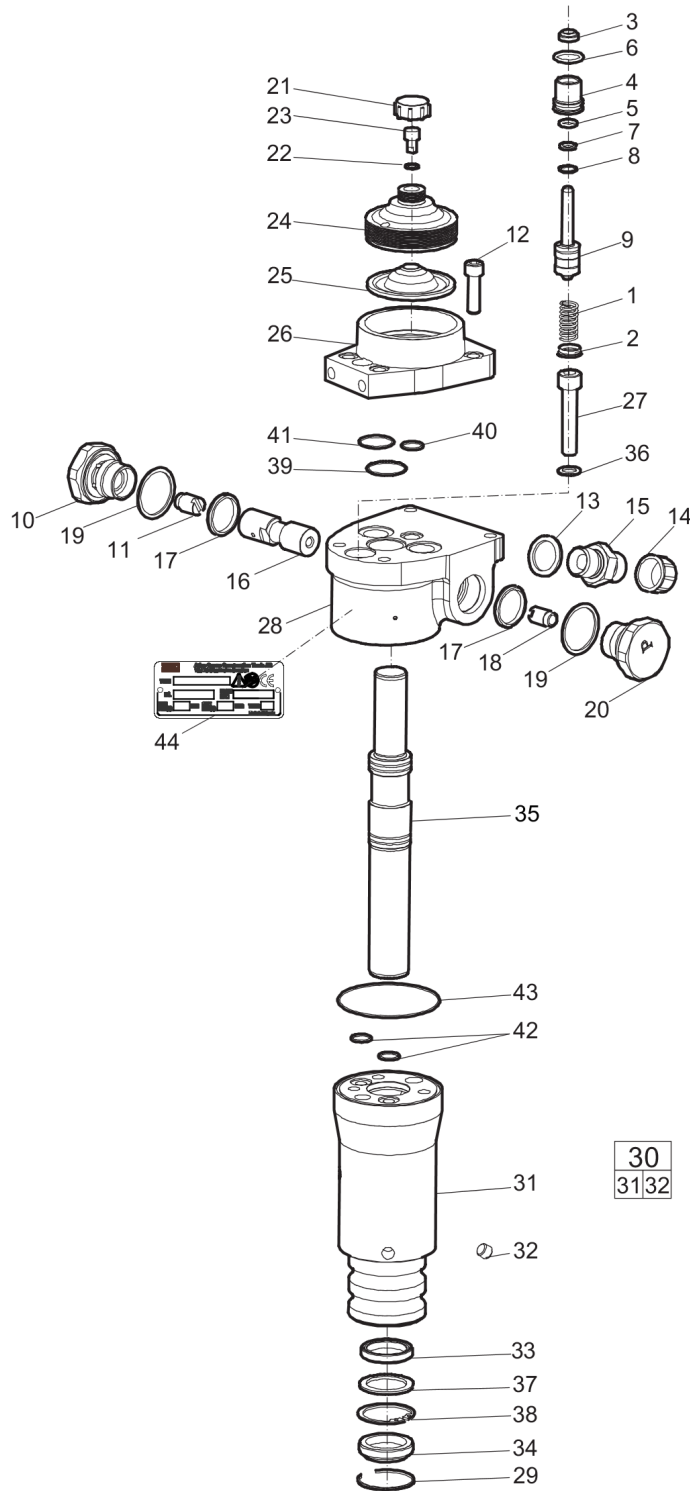
### Accessories

Hoses and couplings	30
---------------------	----

### Kits

Label kit	33
Seal kit	35
Trigger valve kit	37
Accumulator kit	39

**Spare parts list** LH 180, 190 E



Refer to Parts Online for the most up to date information. The printed information might be outdated.

Fri Jun 26 04:53:57 MDT 2015

Item	Part No.	Name	Qty	L
1	3371814163	Spring	1	
2	3371814752	Washer	1	
3	3371805503	Seal, Ø 0.31 x 0.55 x 0.14 x 0.20 in. (Ø 8 x 14 x 3.5 x 5 mm)	1	
4	3371814120	Packing gland	1	
5	3371814700	O-ring, Ø 0.33 x 0.09 in. (Ø 8.3 x 2.4 mm)	1	
6	3371814702	O-ring, Ø 0.64 x 0.09 in. (Ø 16.3 x 2.4 mm)	1	
7	3371814701	Back-up ring	1	
8	3371814712	Circlip	1	
9	3371820071	Trigger spool with rod	1	
10	3371814116	Guide socket T	1	
11	3371814115	Auxiliary spool T	1	
12	3371814723	Allen screw	4	
13	3371805714	Seal	2	
14	3371813709	Protective cap, 1/2 in. BSP	2	
15	3371805711	Nipple, 1/2 in. BSP	2	
16	3371815101	Spool	1	
17	3371814703	O-ring, Ø 0.95 x 0.12 in. (Ø 24.2 x 3 mm)	2	
18	3371814113	Auxiliary spool P	1	
19	3371814710	O-ring, Ø 1.30 x 0.08 in. (Ø 33 x 2 mm)	2	
20	3371814114	Guide socket P	1	
21	3376117071	Protective nut, M24 x 1.5 mm	1	
22	3371814709	Seal ring, Ø 0.34 X 0.51 x 0.04 in. (Ø 8.7 X 13 x 1 mm)	1	
23	3371813103	Charging screw	1	
24	3371814066	Part Description Not Available	1	
25	3371814052	Diaphragm	1	
26	3371815065	Accumulator body	1	
27	3371815720	Allen screw	3	
28	3371815062	Valve housing	1	A
29	3371815738	Lock ring	1	
30	3371815066	Cylinder, complete	1	
31	--	Cylinder	1	
32	3371814733	Fitting	4	
33	3371814172	Seal ring, 28 / 36 x 5.7 mm (1.10 / 1.42 x 0.22 in.)	1	
34	3371814707	Seal, 28 / 38 x 7 / 10 mm (1.10 / 1.5 x 0.28 / 0.39 in.)	1	
35	3371814125	Piston	1	
36	3371815735	Back-up washer	3	
37	3371814169	Back-up washer, 28.7 x 38 x 2 mm (1.13 x 1.5 0.08 in.)	1	

Refer to Parts Online for the most up to date information. The printed information might be outdated.

Fri Jun 26 04:53:57 MDT 2015

This page intentionally left blank

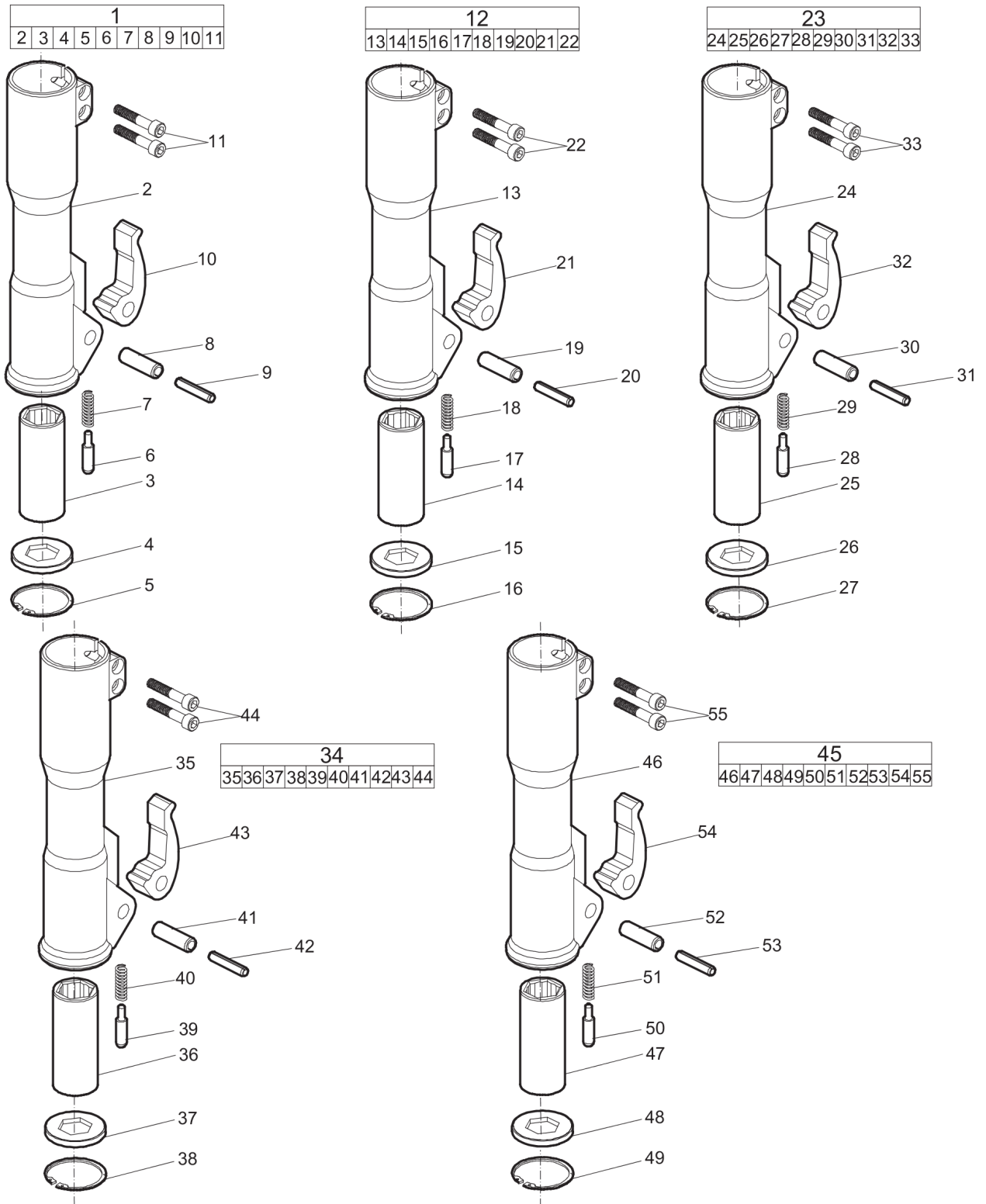
Item	Part No.	Name	Qty	L
38	3371814754	Circlip	1	
39	3371814748	O-ring, Ø 0.98 x 0.06 in. (Ø 25 x 1.5 mm)	1	
40	3371814749	O-ring, Ø 0.51 x 0.06 in. (Ø 13 x 1.5 mm)	1	
41	3371820706	O-ring, Ø 0.87 x 0.06 in. (Ø 22 x 1.5 mm)	2	
42	3371814750	O-ring, Ø 0.47 x 0.06 in. (Ø 12 x 1.5 mm)	2	
43	3371814751	O-ring, Ø 2.72 x 0.06 in. (Ø 69 x 1.5 mm)	1	
44	-	Data plate	1	

Comments for Page: LH 180, 190 E

(L)OCAL REMARKS

A | Plugged

**Spare parts list** Nose parts



Refer to Parts Online for the most up to date information. The printed information might be outdated.

Fri Jun 26 04:53:58 MDT 2015



Item	Part No.	Name	Qty	L
1	3371821012	Nose part, complete	1	
2	--	Nose part, Hexagon 1 x 41/4 in., Hexagon 25 x 108 mm	1	
3	3371820191	Bushing, Hexagon 1 x 41/4 in., Hexagon 25 x 108 mm	1	
4	3371820193	Chisel bellows	1	
5	3371820736	Circlip, Ø 2.24 x 0.08 in., Ø 57 x 2 mm	1	
6	3371802073	Lock pin	1	
7	3371802075	Spring	1	
8	3371815730	Roll pin, Ø 0.63 x 1.97 in., Ø 16 x 50 mm	1	
9	3371815731	Roll pin, Ø 0.39 x 1.97 in., Ø 10 x 50 mm	1	
10	3371820145	Latch	1	
11	3371814724	Screw, M10 x 55 mm	2	
12	3371821013	Nose part, complete	1	
13	--	Nose part, Hexagon 11/8 x 6 in., Hexagon 28 x 152 mm	1	
14	3371820217	Bushing, Hexagon 11/8 x 6 in., Hexagon 28 x 152 mm	1	
15	3371820219	Chisel bellows	1	
16	3371820737	Lock ring, Ø 2.52 x 0.08 in., Ø 64 x 2 mm	1	
17	3371802073	Lock pin	1	
18	3371802075	Spring	1	
19	3371815730	Roll pin, Ø 0.63 x 1.97 in., Ø 16 x 50 mm	1	
20	3371815731	Roll pin, Ø 0.39 x 1.97 in., Ø 10 x 50 mm	1	
21	3371820145	Latch	1	
22	3371814724	Screw, M10 x 55 mm	2	
23	3371821019	Nose part, complete	1	
24	--	Nose part, Hexagon 11/8 x 61/4 in. , Hexagon 28 x 160 mm	1	
25	3371820218	Bushing, Hexagon 11/8 x 61/4 in., Hexagon 28 x 160 mm	1	
26	3371820219	Chisel bellows	1	
27	3371820737	Lock ring, Ø 2.52 x 0.08 in., Ø 64 x 2 mm	1	
28	3371802073	Lock pin	1	
29	3371802075	Spring	1	
30	3371815730	Roll pin, Ø 0.63 x 1.97 in., Ø 16 x 50 mm	1	
31	3371815731	Roll pin, Ø 0.39 x 1.97 in., Ø 10 x 50 mm	1	
32	3371820145	Latch	1	
33	3371814724	Screw, M10 x 55 mm	2	
34	3371821014	Nose part, complete	1	
35	--	Nose part, Hexagon 11/4 x 6 in. , Hexagon 32 x 152 mm	1	
36	3371820212	Bushing - -	1	
37	3371820192	Chisel bellows	1	

Refer to Parts Online for the most up to date information. The printed information might be outdated.

Fri Jun 26 04:53:59 MDT 2015

This page intentionally left blank

Item	Part No.	Name	Qty	L
38	3371820737	Lock ring, Ø 2.52 x 0.08 in., Ø 64 x 2 mm	1	
39	3371802073	Lock pin	1	
40	3371802075	Spring	1	
41	3371815730	Roll pin, Ø 0.63 x 1.97 in., Ø 16 x 50 mm	1	
42	3371815731	Roll pin, Ø 0.39 x 1.97 in., Ø 10 x 50 mm	1	
43	3371820145	Latch	1	
44	3371814724	Screw, M10 x 55 mm	2	
45	3371821011	Nose part, complete	1	
46	--	Nose part, Hexagon 11/4 x 61/4 in. , Hexagon 32 x 160 mm	1	
47	3371820194	Bushing - -	1	
48	3371820192	Chisel bellows	1	
49	3371820737	Lock ring, Ø 2.52 x 0.08 in., Ø 64 x 2 mm	1	
50	3371802073	Lock pin	1	
51	3371802075	Spring	1	
52	3371815730	Roll pin, Ø 0.63 x 1.97 in., Ø 16 x 50 mm	1	
53	3371815731	Roll pin, Ø 0.39 x 1.97 in., Ø 10 x 50 mm	1	
54	3371820145	Latch	1	
55	3371814724	Screw, M10 x 55 mm	2	



Item	Part No.	Name	Qty	L
1	3371821208	Handle standard, complete	1	A
2	3371820204	Handle standard	2	
3	3371820135	Rubber handle	1	
4	3371820134	Rubber handle	1	
5	3371820238	Trigger	1	B
6	3371815733	Roll pin, Ø 0.31 x 1.6 in., Ø 8 x 40 mm	1	
7	3371821202	Top cover	1	
8	3371815722	Bolt, M10 x 20 mm	4	
9	3371815131	Nab	2	
10	3371815113	Spacer	4	
11	3371820203	Bracket	1	
12	3371820207	Nylon guide	1	
13	3378206044	Screw, M6 x 30 mm	1	
14	3371820747	Washer nylon, Ø 0.83 x 1.46 x 0.12 in., Ø 21 x 37 x 3 mm	2	
15	3371820237	Lock plate	1	
16	3371820236	Safety trigger	1	
17	3371820152	Spring	1	
18	3371814716	Nut, M6	1	

Comments for Page: Handle standard

(L)OCAL REMARKS

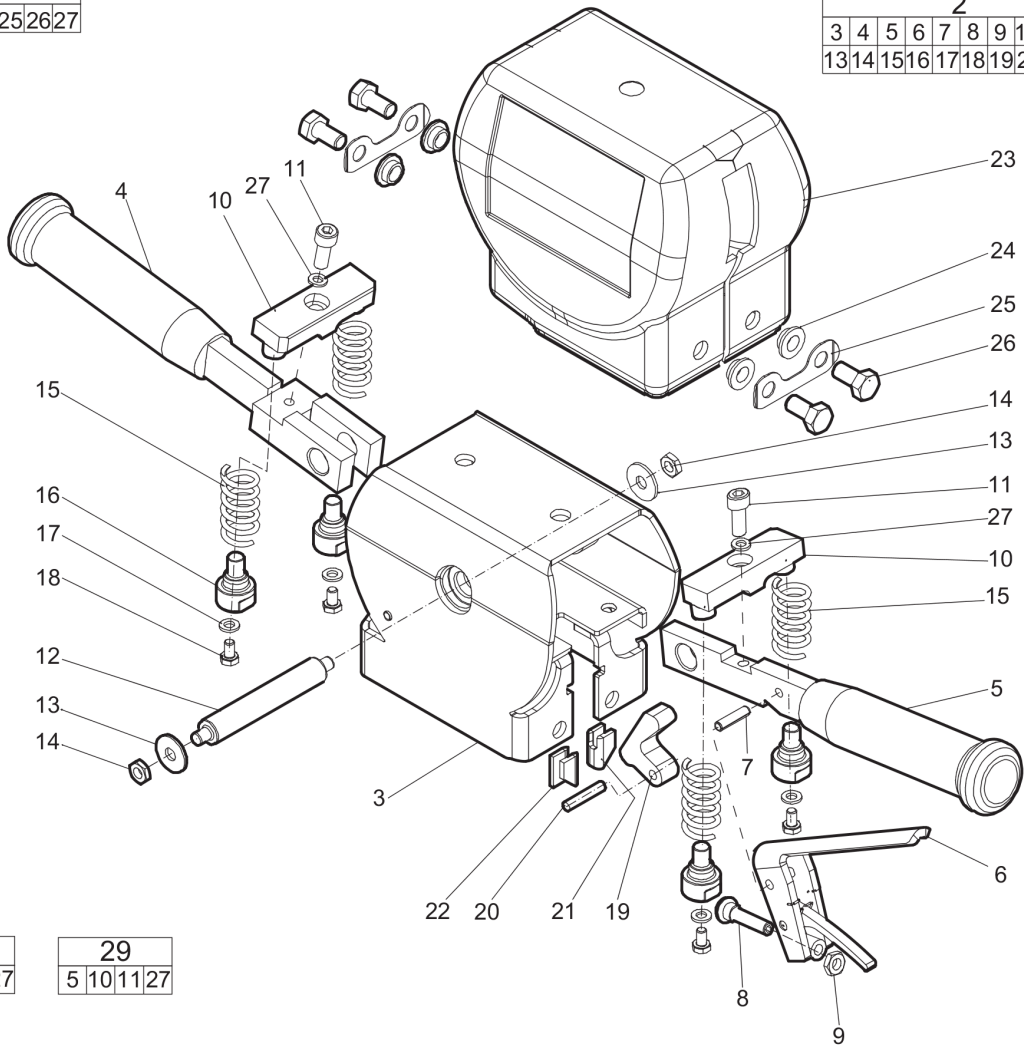
A | With plastic cover

B | Standard

**Spare parts list E-handle**

1					
2	23	24	25	26	27

2											
3	4	5	6	7	8	9	10	11	12	13	14
15	16	17	18	19	20	21	22				



28			
4	10	11	27

29			
5	10	11	27

Item	Part No.	Name	Qty	L
1	3371821206	E-handle, complete	1	A
2	3371821065	VR-handle, complete	1	B
3	3371821205	Frame	1	
4	3371821173	Handle	1	
5	3371821172	Handle	1	
6	3371821200	Trigger lever	1	
7	3371820712	Roll Pin, Ø 0.24 x 0.94 in., Ø 6 x 24 mm	1	
8	3371821068	Thrust pad, With screw M8	1	
9	3371820722	Nut, M8	1	
10	3371821177	Stopper	2	
11	0211124900	Screw, M6 x 25 mm	2	
12	3371821184	Pin	1	
13	3377104008	Washer, Ø 0.31 in., Ø 8 mm	2	
14	3371820722	Nut, M8	2	
15	3371821178	Spring	4	
16	3371821175	Spring guide	4	
17	3377000407	Washer, Ø 0.24 in., Ø 6 mm	4	
18	3371817724	Screw, M6 x 10 mm	4	
19	3371821176	Trigger pawl	1	
20	3371820711	Pin, Ø 0.24 x 1.18 in., Ø 6 x 30 mm	1	
21	3371820147	Pin latch right	1	
22	3371820148	Pin latch left	1	
23	3371821183	Top cover	1	
24	3371815113	Spacer	4	
25	3371815131	Nab	2	
26	3378034102	Hexagon head bolt	4	
27	3315019502	Lock washer	2	
28	3371821291	Handle complete (For machines before serial number BGF057000)	1	
4	3371821173	Handle	1	
10	3371821177	Stopper	1	
11	3371805155	Screw, M8 x 25 mm	1	
17	3377000407	Washer, Ø 0.24 in., Ø 6 mm	1	
29	3371821290	Handle complete (For machines before serial number BGF057000)	1	
5	3371821172	Handle	1	
10	3371821177	Stopper	1	
11	3371805155	Screw, M8 x 25 mm	1	
17	3377000407	Washer, Ø 0.24 in., Ø 6 mm	1	

Refer to Parts Online for the most up to date information. The printed information might be outdated.

Fri Jun 26 04:54:02 MDT 2015

Comments for Page: E-handle

(L)OCAL REMARKS

A | With plastic cover

B | Without plastic cover



**Tightening torque** Tightening torque

This page intentionally left blank

NO EXPLODED VIEW  
AVAILABLE  
FOR THIS BOM

Item	Part No.	Name	Qty	L
-	3371814116	Guide socket T	-	A
-	3371814723	Allen screw	-	B
-	3371805711	Nipple, 1/2 in. BSP	-	
-	3371814114	Guide socket P	-	C
-	3371815720	Allen screw	-	D
-	3371814733	Fitting	-	E
-	3371820191	Bushing, Hexagon 1 x 41/4 in., Hexagon 25 x 108 mm	-	F
-	3371814724	Screw, M10 x 55 mm	-	G
-	3371820218	Bushing, Hexagon 11/8 x 61/4 in., Hexagon 28 x 160 mm	-	H
-	3371820212	Bushing - -	-	I
-	3371820194	Bushing - -	-	J

Comments for Page: Tightening torque

LOCTITE is a registered trademark of Henkel Corporation. 245, 275, and 648 are trademarks of Henkel Corporation.

(L)OCAL REMARKS

A | LOCTITE® 245™

B | LOCTITE® 245™

C | LOCTITE® 245™

D | LOCTITE® 245™

E | LOCTITE® 275™

F | LOCTITE® 648 (275)™

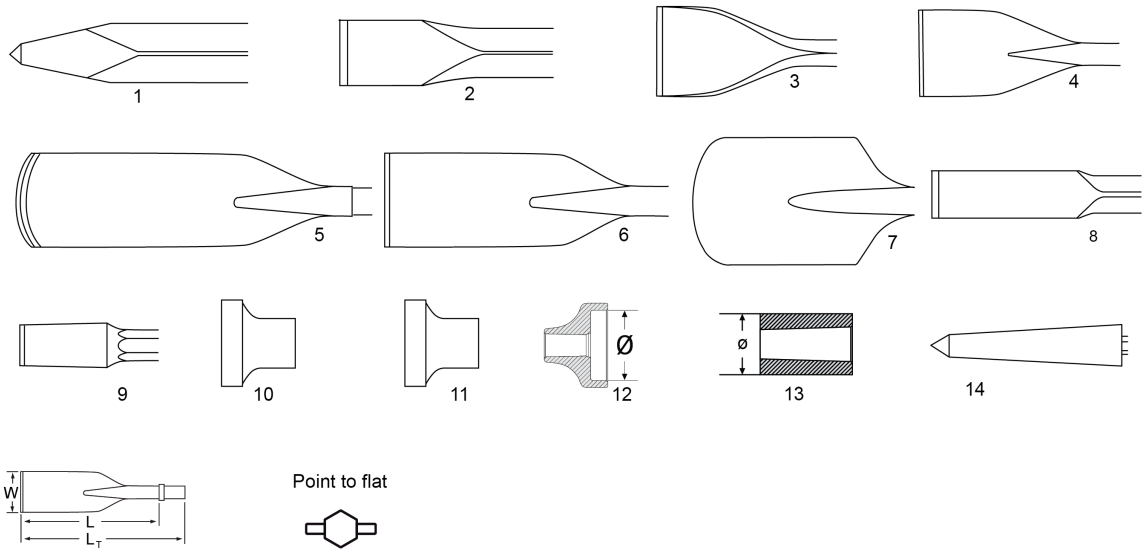
G | LOCTITE® 245™

H | LOCTITE® 648 (275)™

I | LOCTITE® 648 (275)™

J | LOCTITE® 648 (275)™

**Working tools** ISO standard hexagon 25 x 108 mm



Item	Part No.	Name	Qty	L
1	3083325300	Moil point	1	A
2	3083325400	Narrow chisel	1	B
3	3083325500	Wide chisel	1	C
5	3083325600	Digging chisel	1	D
6	3083325700	Digging spade	1	E
7	3083303300	Clay spade	1	F
8	3083325800	Frost wedge	1	G
9	3083325900	Shaft for tamping pad	1	H
10	3083325210	Tamping pad, round	1	I
11	3083323900	Tamping pad, square	1	J
12	9245281790	Driver pad	1	K
12	3371806012	Driver pad, round	1	L
14	9245282230	Posthole pad	1	M

Comments for Page: ISO standard hexagon 25 x 108 mm

(L)OCAL REMARKS

A | W= - L=380 mm, Lt=500 mm, Wt=2.0 kg

B | W= - L=380 mm, Lt=500 mm, Wt=2.1 kg

C | W= 75 L=380 mm, Lt=500 mm, Wt=2.3 kg

D | W= 75 L=380 mm, Lt=500 mm, Wt=3.1 kg

E | W=120 L=380 mm, Lt=500 mm, Wt=4.2 kg

F | W=125 L=430 mm, Lt=550 mm, Wt=3.8 kg

G | W=35 L=380 mm, Lt=500 mm, Wt=2.5 kg

H | W= - L=280 mm, Lt=400 mm, Wt=2.1 kg

I | W= Ø175 L=- mm, Lt=- mm, Wt=7.6 kg

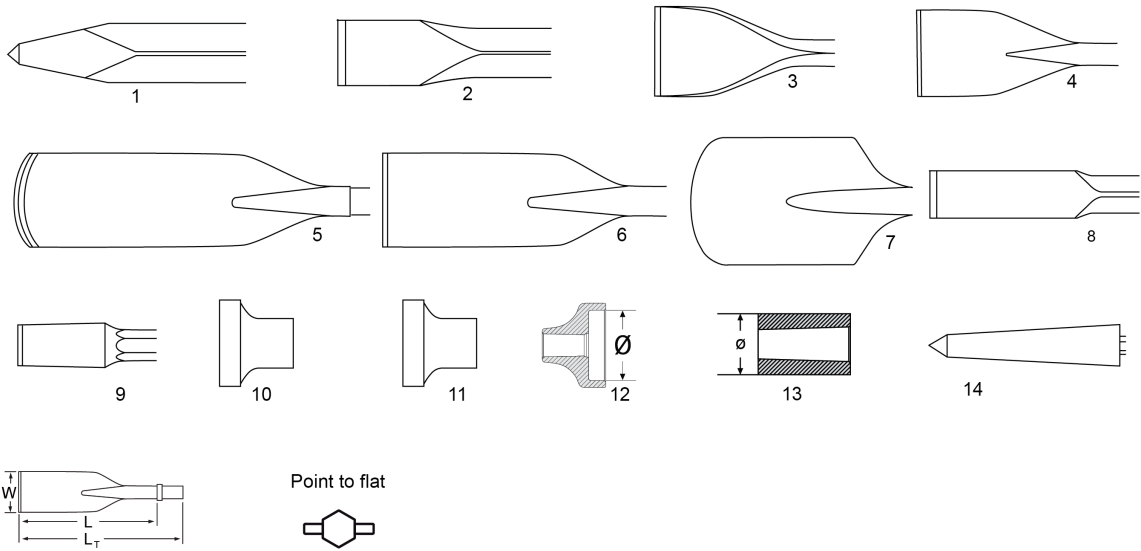
J | W=175 L= - mm, Lt=- mm, Wt=6.1 kg

K | W= Ø100 L= - mm, Lt= - mm, Wt= 2.6 kg

L | W= Ø65 L=- mm, Lt=- mm, Wt=1.9 kg

M | W= 40 L= - mm, Lt= - mm, Wt=2.7 kg

**Working tools** ISO standard hexagon 28 x 160 mm



Item	Part No.	Name	Qty	L
1	3083327100	Moil point	1	A
1	3083327200	Moil point	1	B
1	3083327300	Moil point	1	C
2	3083327400	Narrow chisel	1	D
2	3083327500	Narrow chisel	1	E
2	3083327600	Narrow chisel	1	F
3	3083327700	Wide chisel	1	G
4	3083327800	Asphalt cutter	1	H
5	3083327900	Digging chisel	1	I
6	3083328000	Digging spade	1	J
7	3083328100	Clay spade	1	K
8	3083328200	Wedge chisel	1	L
9	3083328301	Shaft for tamping pad	1	M
10	3083330100	Tamping pad, round	1	N
11	3083330200	Tamping pad, square	1	O
11	3083319700	Tamping pad, square	1	P
12	3376112079	Driver pad	1	Q
12	3376112077	Driver pad	1	R
13	9245282710	Driver blank	1	S

Comments for Page: ISO standard hexagon 28 x 160 mm

(L)OCAL REMARKS

A | W= - L=380 mm, Lt=545 mm, Wt=2.9 kg

B | W= - L=450 mm, Lt=615 mm, Wt=3.2 kg

C | W= - L=1000 mm, Lt=1165 mm, Wt=6.2 kg

D | W= - L=380 mm, Lt=545 mm, Wt=2.8 kg

E | W= - L=450 mm, Lt=615 mm, Wt=3.3 kg

F | W= - L=1000 mm, Lt=1165 mm, Wt=6.4 kg

G | W=75 L=380 mm, Lt=545 mm, Wt=3.0 kg

H | W= 115 L=300 mm, Lt=465 mm, Wt=3.7 kg

I | W= 75 L=380 mm, Lt=545 mm, Wt=4.1 kg

J | W=125 L= 380 mm, Lt=545 mm, Wt=4.6 kg

K | W= 140 L= 380 mm, Lt= 545 mm, Wt= 4.1 kg

L | W= 40 L=400 mm, Lt=565 mm, Wt=3.9 kg

M | W= - L= 230 mm, Lt= 395 mm, Wt=3.0 kg

N | W= Ø180 L= - mm, Lt= - mm, Wt= 7.1 kg

O | W= 150 L=- mm, Lt=- mm, Wt=8.2 kg

P | W= 200 L= - mm, Lt= - mm, Wt=10.0 kg

Refer to Parts Online for the most up to date information. The printed information might be outdated.

Fri Jun 26 04:54:04 MDT 2015

Q | W= Ø120 L= - mm, Lt= - mm, Wt= 7.6 kg

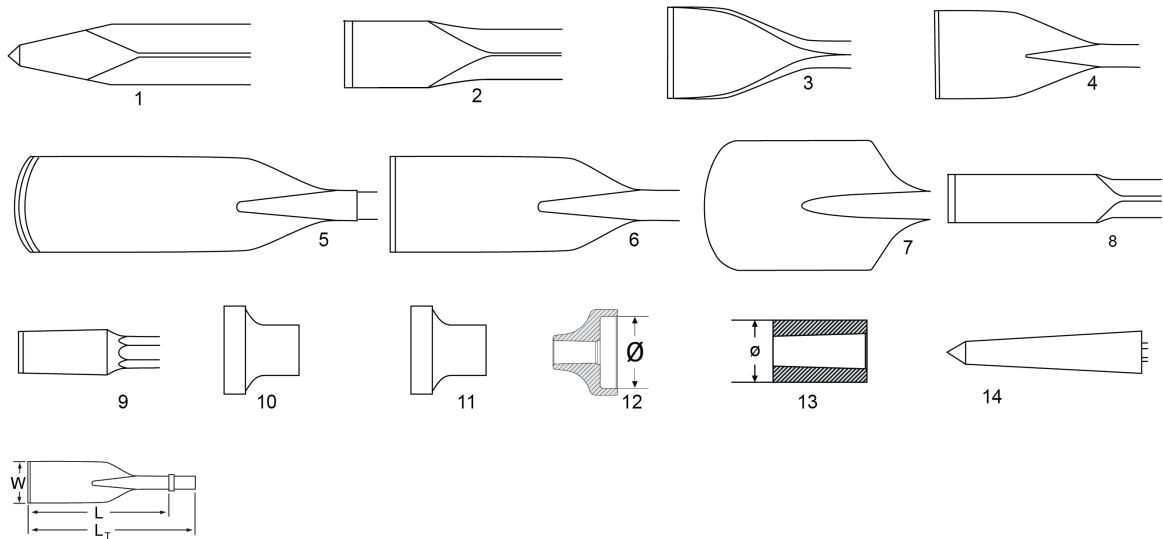
R | W= Ø150 L=- mm, Lt=- mm, Wt=8.7 kg

S | W= Ø80 L= - mm, Lt= - mm, Wt=3.4 kg



**Working tools** ISO standard hexagon 32 x 152 mm

This page intentionally left blank



Item	Part No.	Name	Qty	L
1	3083328500	Moil point	1	A
1	3083400010	Moil point	1	B
1	3083400020	Moil point	1	C
1	3083400030	Moil point	1	D
2	3083328600	Narrow chisel	1	E
2	3083400110	Narrow chisel	1	F
2	3083400120	Narrow chisel	1	G
2	3083400130	Narrow chisel	1	H
3	3083329500	Wide chisel	1	I
3	3083400200	Wide chisel	1	J
3	3083400210	Wide chisel	1	K
3	3083400220	Wide chisel	1	L
4	3083400400	Asphalt cutter	1	M
4	3083329600	Asphalt cutter	1	N
5	3083329700	Digging chisel	1	O
6	3083329800	Digging spade	1	P
7	3083329900	Clay spade	1	Q
8	3083330000	Wedge chisel	1	R
9	3083328700	Shaft for tamping pad	1	S
10	3083330100	Tamping pad, round	1	T
11	3083330200	Tamping pad, square	1	U
11	3083319700	Tamping pad, square	1	V
12	3376112079	Driver pad	1	W
12	3376112077	Driver pad	1	Q
13	9245282710	Driver blank	1	Y

Comments for Page: ISO standard hexagon 32 x 152 mm

(L)OCAL REMARKS

A | W= - L=350 mm, Lt=520 mm, Wt=3.3 kg

B | W= - L=450 mm, Lt=615 mm, Wt=3.9 kg

C | W= - L=610 mm, Lt=775 mm, Wt=5.1 kg

D | W= - L=915 mm, Lt=1080 mm, Wt=7.0 kg

E | W= - L=355 mm, Lt=520 mm, Wt=3.2 kg

F | W= - L=450 mm, Lt=615 mm, Wt=3.8 kg

G | W=- L=610 mm, Lt=775 mm, Wt=4.9 kg

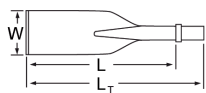
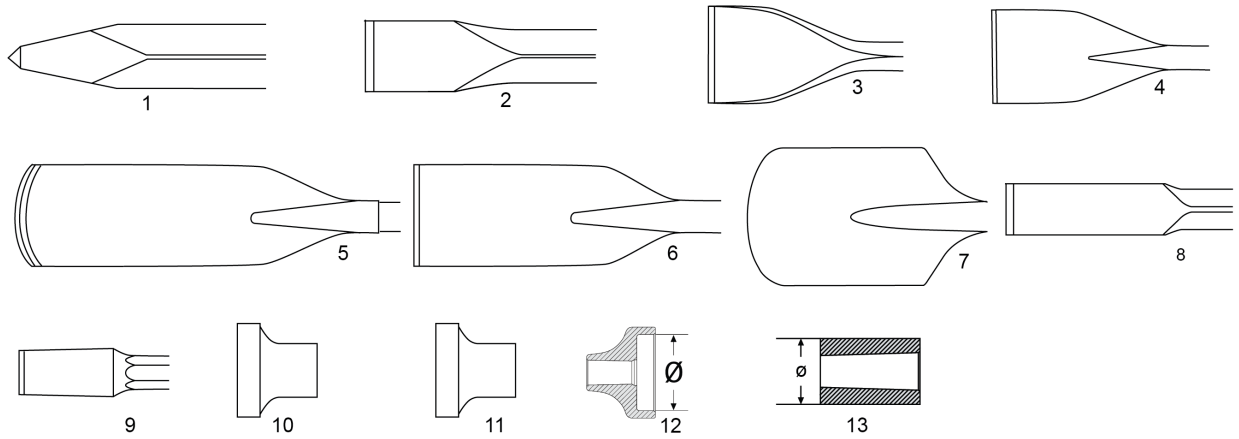
H | W= - L=915 mm, Lt=1080 mm, Wt=7.0 kg

I | W= 75 L=380 mm, Lt=545 mm, Wt=3.6 kg

J | W=75 L=450 mm, Lt=615 mm, Wt=4.2 kg  
K | W= 75 L= 610 mm, Lt=775 mm, Wt= 5.1 kg  
L | W=75 L=915 mm, Lt=1080 mm, Wt=6.7 kg  
M | W=115L= 305 mm, Lt= 470 mm, Wt=4.0 kg  
N | W=125 L=330mm, Lt= 495 mm, Wt=4.1 kg  
O | W= 75 L= 380 mm, Lt= 545 mm, Wt=4.5 kg  
P | W= 125 L=320 mm, Lt=485 mm, Wt=4.3 kg  
Q | W=140 L= 380 mm, Lt=545 mm, Wt=5.3 kg  
R | W= 50 L= 400 mm, Lt= 565 mm, Wt=5.2 kg  
S | W= - L=230 mm, Lt=395 mm, Wt=3.1 kg  
T | W=Ø180 L=-mm, Lt=- mm, Wt=7.1 kg  
U | W=150 L=-mm, Lt=- mm, Wt=8.2 kg  
V | W=200 L=-mm, Lt=- mm, Wt=10.0 kg  
W | W=Ø120 L=-mm, Lt=- mm, Wt=7.6 kg  
W | W=Ø150 L=-mm, Lt=- mm, Wt=8.7 kg  
W | W=Ø80 L=-mm, Lt=- mm, Wt=3.4 kg

**Working tools** ISO standard hexagon 32 x 160 mm

This page intentionally left blank



Point to flat

Item	Part No.	Name	Qty	L
1	3083320500	Moil point	1	A
1	3083320600	Moil point	1	B
1	3083320700	Moil point	1	C
2	3083320800	Narrow chisel	1	D
2	3083320900	Narrow chisel	1	E
2	3083321000	Narrow chisel	1	F
3	3083321100	Wide chisel	1	G
4	3083321200	Asphalt cutter	1	H
5	3083321300	Digging chisel	1	I
6	3083321400	Digging spade	1	J
7	3083321500	Clay spade	1	K
8	3083321600	Wedge chisel	1	L
9	3083321801	Shaft for tamping pad	1	M
10	3083330100	Tamping pad, round	1	N
11	3083330200	Tamping pad, square	1	O
11	3083319700	Tamping pad, square	1	P
12	3376112079	Driver pad	1	Q
12	3376112077	Driver pad	1	R
13	9245282710	Driver blank	1	S

Comments for Page: ISO standard hexagon 32 x 160 mm

(L)OCAL REMARKS

A | W= - L=380 mm, Lt=545 mm, Wt=3.5 kg

B | W= - L=450 mm, Lt=615 mm, Wt=3.9 kg

C | W= - L=1000 mm, Lt=1165 mm, Wt=7.6 kg

D | W= - L=380 mm, Lt=545 mm, Wt=3.5 kg

E | W= - L=450 mm, Lt=615 mm, Wt=4.0 kg

F | W= - L=1000 mm, Lt=1165 mm, Wt=7.5 kg

G | W=75 L=380 mm, Lt=545 mm, Wt=3.7 kg

H | W= 115 L=300 mm, Lt=465 mm, Wt=4.0 kg

I | W= 75 L=380 mm, Lt=545 mm, Wt=4.4 kg

J | W=125 L= 380 mm, Lt=545 mm, Wt=4.9 kg

K | W= 140 L= 380 mm, Lt= 545 mm, Wt= 4.4 kg

L | W= 40 L=400 mm, Lt=565 mm, Wt=3.8 kg

M | W= - L= 235 mm, Lt= 400 mm, Wt=3.1 kg

N | W=Ø180 L=- mm, Lt= - mm, Wt=7.1 kg

O | W= 150 L= - mm, Lt= - mm, Wt=8.2 kg

P | W= 200 L=- mm, Lt=- mm, Wt=10.0 kg

Refer to Parts Online for the most up to date information. The printed information might be outdated.

Fri Jun 26 04:54:06 MDT 2015

Q | W=Ø120 L= - mm, Lt=- mm, Wt=7.6 kg

R | W= Ø150 L= - mm, Lt= - mm, Wt=8.7 kg

S | W= Ø80 L=- mm, Lt=- mm, Wt=3.4 kg



**Accessories** Hoses and couplings

This page intentionally left blank

NO EXPLODED VIEW  
AVAILABLE  
FOR THIS BOM

Item	Part No.	Name	Qty	L
1	3371801083	Connection hose, complete	1	
-	3371803050	Hose, Ø 1/2 in. L = 16 in., Ø 12.5 mm L = 0.4 m	2	
-	3371805714	Seal	2	
-	3371805133	Quick-release coupling, Female 1/2 in. BSP	1	
-	3371805134	Quick-release coupling, Male 1/2 in. BSP	1	
-	3371805733	Protective cap	1	A
-	3371805732	Protective cap	1	B
-	3371801087	Twin hose, complete, Ø 1/2 in. L = 23 ft. , Ø 12.5 mm L = 7 m	1	
-	3371803052	Twin hose, Ø 1/2 in. L = 23 ft., Ø 12.5 mm L = 7 m	1	
-	3371801190	Connection hose, complete, Ø 1/2 in. L = 62 in., Ø 12.5 mm L = 1.6 m	1	
-	3371803064	Hose, Ø 1/2 in. L = 62 in., Ø 12.5 mm L = 1.6 m	2	
-	3371802115	Label P	1	G

Comments for Page: Hoses and couplings

(L)OCAL REMARKS

A | Female

B | Male

C | Female

D | Male

E | Female

F | Male

G | Pressure side

**Kits** Label kit

NO EXPLODED VIEW  
AVAILABLE  
FOR THIS BOM

Item	Part No.	Name	Qty	L
1	3371821095	Label kit	1	
-	3371896061	Safety label	1	
Not Shown	-	Pressure charge	1	A
Not Shown	-	Product label	2	B
Not Shown	-	Product label	1	C
Not Shown	-	Product label	1	D
Not Shown	-	Noise level label	1	
Not Shown	-	EHTMA Category C	1	E
Not Shown	-	Shank size, "Shank size 25 x 108"	1	
Not Shown	-	Shank size, "Shank size 28 x 160"	1	
Not Shown	-	Shank size, "Shank size 28 x 152"	1	
Not Shown	-	Shank size, "Shank size 32 x 152"	1	
Not Shown	-	Shank size, "Shank size 32 x 160"	1	

Comments for Page: Label kit

(L)OCAL REMARKS

A | "N2"

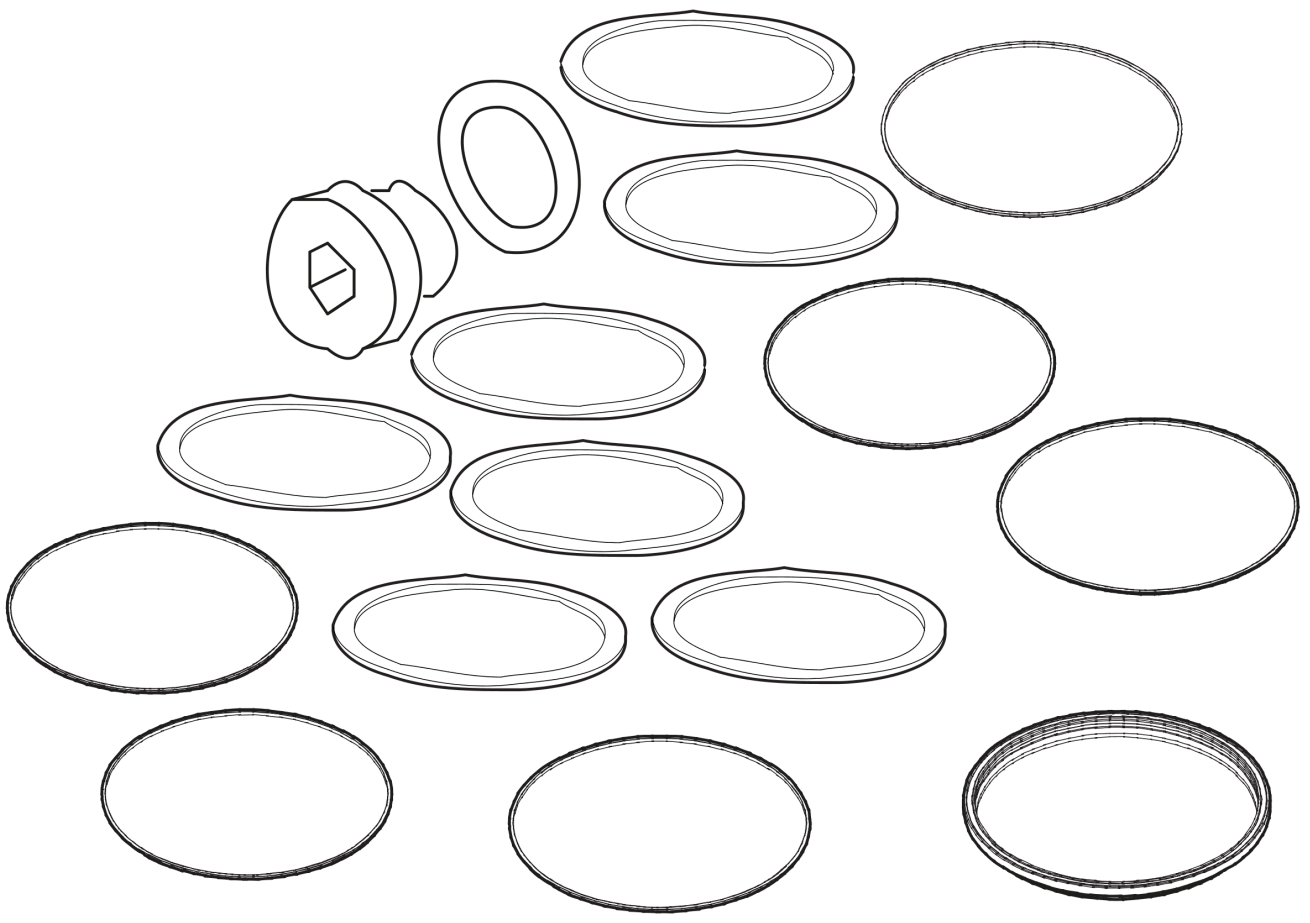
B | "Atlas Copco"

C | "LH 190 E"

D | "LH 180"

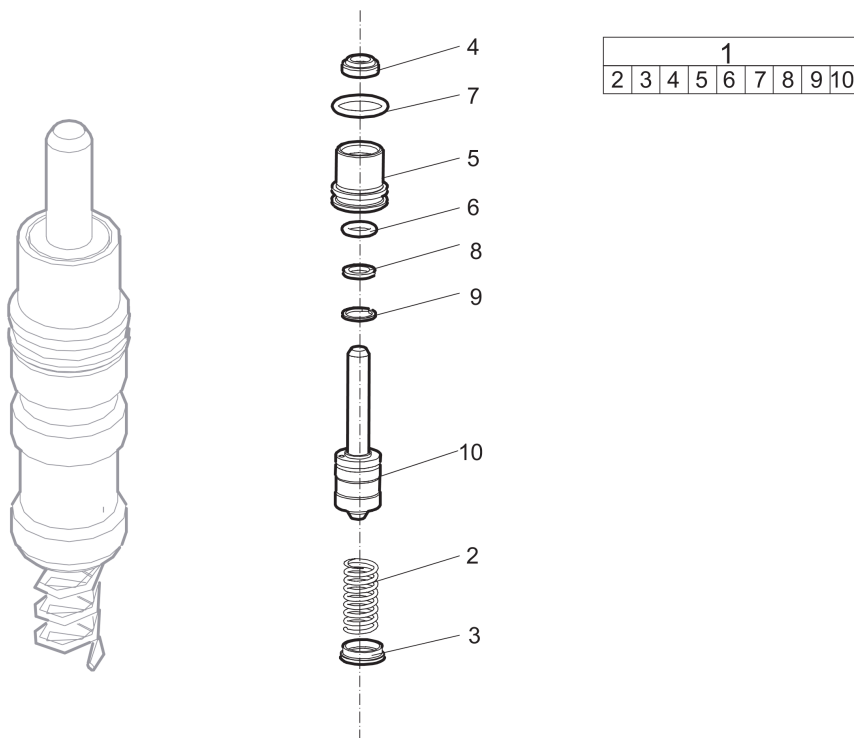
E | 20 lpm

**Kits** Seal kit



Item	Part No.	Name	Qty	L
1	3371814021	Seal kit	1	
-	3371805503	Seal, Ø 0.31 x 0.55 x 0.14 x 0.20 in. (Ø 8 x 14 x 3.5 x 5 mm)	1	
-	3371814702	O-ring, Ø 0.64 x 0.09 in. (Ø 16.3 x 2.4 mm)	1	
-	3371814700	O-ring, Ø 0.33 x 0.09 in. (Ø 8.3 x 2.4 mm)	1	
-	3371814701	Back-up ring	1	
-	3371814712	Circlip	1	
-	3371814732	Circlip	2	
-	3371813710	Protective cap, M24 x 1.5 mm	1	
-	3371814709	Seal ring, Ø 0.34 X 0.51 x 0.04 in. (Ø 8.7 X 13 x 1 mm)	1	
-	3371820706	O-ring, Ø 0.87 x 0.06 in. (Ø 22 x 1.5 mm)	2	
-	3371814748	O-ring, Ø 0.98 x 0.06 in. (Ø 25 x 1.5 mm)	1	
-	3371814703	O-ring, Ø 0.95 x 0.12 in. (Ø 24.2 x 3 mm)	2	
-	3371814710	O-ring, Ø 1.30 x 0.08 in. (Ø 33 x 2 mm)	2	
-	3371814750	O-ring, Ø 0.47 x 0.06 in. (Ø 12 x 1.5 mm)	2	
-	3371814749	O-ring, Ø 0.51 x 0.06 in. (Ø 13 x 1.5 mm)	1	
-	3371805714	Seal	2	
-	3371814751	O-ring, Ø 2.72 x 0.06 in. (Ø 69 x 1.5 mm)	1	
-	3371814172	Seal ring, 28 / 36 x 5.7 mm (1.10 / 1.42 x 0.22 in.)	1	
-	3371814169	Back-up washer, 28.7 x 38 x 2 mm (1.13 x 1.5 0.08 in.)	1	
-	3371814754	Circlip	1	
-	3371814707	Seal, 28 / 38 x 7 / 10 mm (1.10 / 1.5 x 0.28 / 0.39 in.)	1	
-	3371815738	Lock ring	1	
-	3371815131	Nab	2	

**Kits** Trigger valve kit

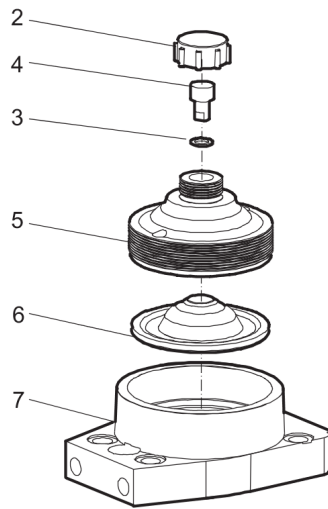




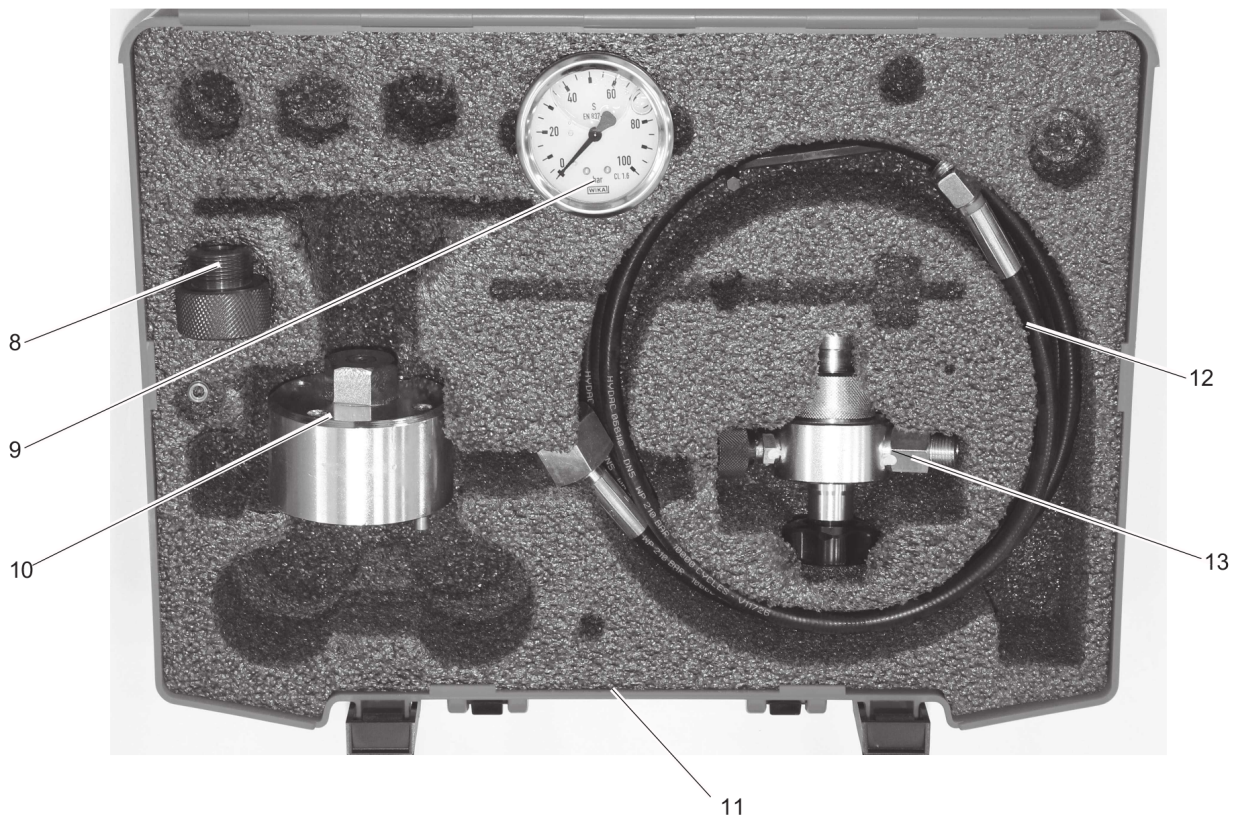
Item	Part No.	Name	Qty	L
1	3371814058	Trigger valve kit	1	
2	3371814163	Spring	1	
3	3371814752	Washer	1	
4	3371805503	Seal, Ø 0.31 x 0.55 x 0.14 x 0.20 in. (Ø 8 x 14 x 3.5 x 5 mm)	1	
5	3371814120	Packing gland	1	
6	3371814700	O-ring, Ø 0.33 x 0.09 in. (Ø 8.3 x 2.4 mm)	1	
7	3371814702	O-ring, Ø 0.64 x 0.09 in. (Ø 16.3 x 2.4 mm)	1	
8	3371814701	Back-up ring	1	
9	3371814712	Circlip	1	
10	3371820071	Trigger spool with rod	1	

**Kits** Accumulator kit

1						
2	3	4	5	6	7	



8					
9	10	11	12	13	14



Refer to Parts Online for the most up to date information. The printed information might be outdated.

Fri Jun 26 04:54:10 MDT 2015

Item	Part No.	Name	Qty	L
1	3371814051	Accumulator kit	1	
2	3376117071	Protective nut, M24 x 1.5 mm	1	
3	3371814709	Seal ring, Ø 0.34 X 0.51 x 0.04 in. (Ø 8.7 X 13 x 1 mm)	1	
4	3371813103	Charging screw	1	
5	3371814102	Accumulator cover	1	
6	3371814052	Diaphragm	1	
7	3371814104	Accumulator body	1	
8	3371801155	Filling device kit	1	
9	3371807780	Adapter	1	
10	-	Manometer	1	
11	3371807760	Tool for accumulator	1	
12	-	Suitcase	1	
13	3371807779	Charging hose	1	
14	3371807778	Charging device	1	
Not Shown	-	Adapters	1	

**AUTORYZOWANY PARTNER:**

**TECHBUD**  
SILNIKI • MASZINY BUDOWLANE • DROGOWE • AGREGATY

**Techbud Sp. z o.o.**  
**ul. Gorzowska 12**  
**65-127 Zielona Góra**

**tel. +48 68 470 72 50**  
**fax +48 68 470 72 51**  
**www.techbud.eu**  
**techbud@techbud.eu**

Any unauthorized use or copying of the contents or any part thereof is prohibited.  
This applies in particular to trademarks, model denominations, part numbers, and drawings.

**Atlas Copco**

[www.atlascopco.com](http://www.atlascopco.com)